

Features:

- Up to 4 event programming
- Simple user interface
- Pre-programmed for quick set up
- Monitored energy consumption
- Simple operation – no need for manual
- Multi voltage: 120/208/240 V
- Output Relay 15A
- Large back-lit display for easy reading
- Can be set to automatic, manual, or comfort mode
- Maximum and minimum temperature limitations
- Includes 2 sensors: a built-in air sensor and floor sensor thermistor with 15 feet of NTC (12KΩ) sensor cable
- Compatible with existing floor sensors
- c-UL-us Listed.

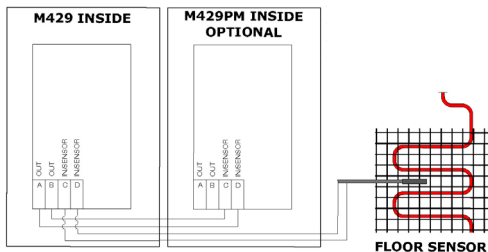
Design:



Power Module:

M429PM (Additional Power Module Option)

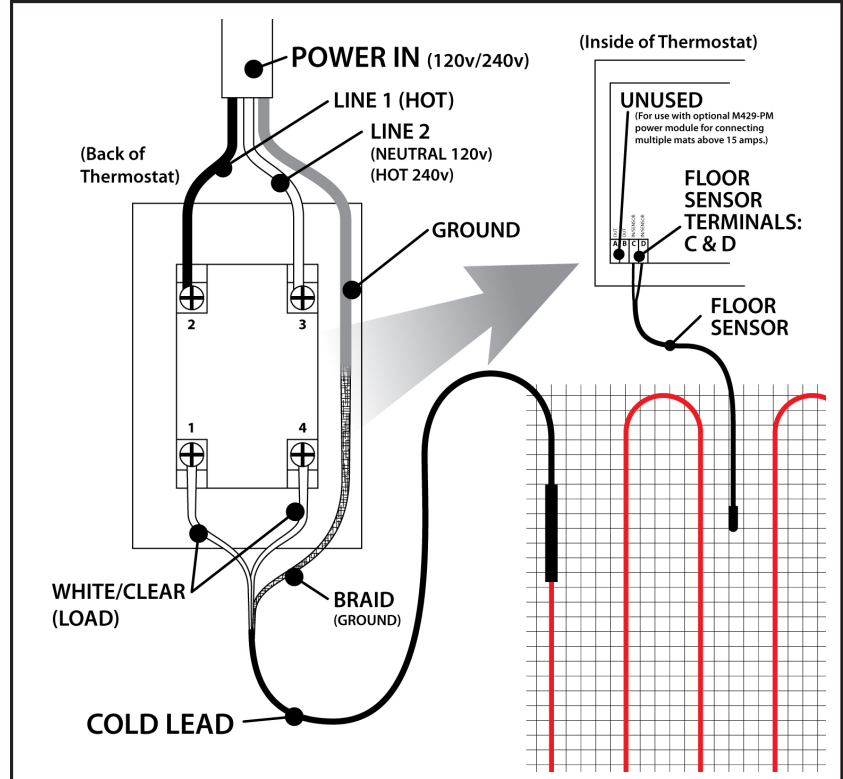
In large applications, thermostats can be extended with additional power modules with built-in Class A GFCI. Output can be increased by 15A per module.



Applications:

- Interior and Floor Warming
- Line Voltage Activation

Wiring:



Specifications:

- 4.8" wide x 3" tall x 1" deep
- Supply 120-240 VAC 50/60Hz
- Temperature control range: 41°F to 104°F
- Class A GFCI (5 mA trip level)
- On/Off differential 0.7°F
- Nema 2 (IP21) Housing
- 15 Amp maximum resistive load



Note: Refer to the NEC or CEC for specific requirements.



COMFORT RADIANT HEATING LLC
 9 Morris Lane, Clifton Park, NY 12065
 (888)448-0555 (518)373-5700
www.comfortradiant.com