

## Description:

Heatizon's patented Invizimelt panel system allows Tuff Cable heating element to be installed under conductive and non-conductive roof coverings. Invizimelt can provide deicing solutions for standing seam roofs, metal eaves, valleys, and other metal roofing materials. Invizimelt can also provide solutions for under membranes on roof decks, decks, and other non-conductive surfaces.

(For other non-conductive roofing applications see our ZMesh products)

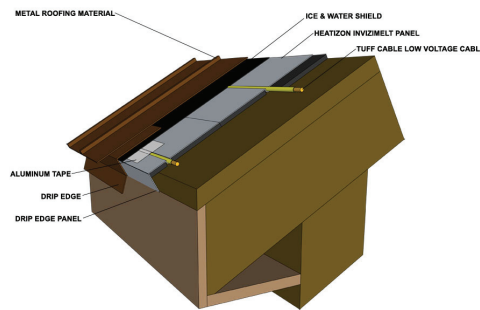
The Invizimelt System with Tuff Cable can help manage ice dams, mitigate gutter ice, and prevent water damage by providing a drain path for water to exit the roof. The Invizimelt panel distributes the heat from Tuff Cable, providing rapid, even, and efficient heat distribution.

The Invizimelt system can be installed to heat any size or shape area and eliminate snow and ice with minimal buildup, making it invisible under the roof. In situations where you have a combination of roofing materials, or customized application needs, Tuff Cable in Invizimelt Panels can be paired with other Heatizon Products to provide the best overall solution.

## Uses:

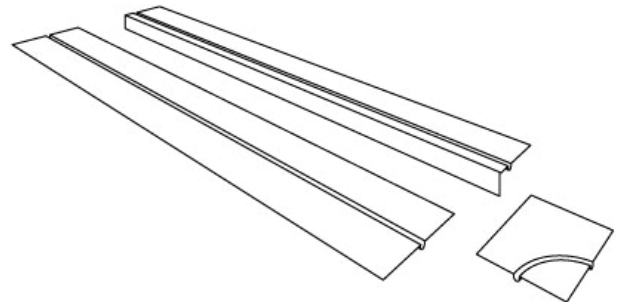
- Deicing Metal Roofing
- Preventing Ice Dams
- Icicle Control
- Creates Path For Water
- Reduces Roof Load

## Design:



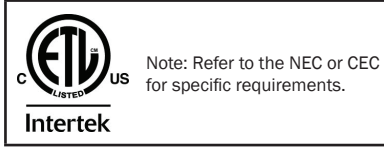
## Kit Components

- INV6KIT - Panel Kit
  - 25 x (6" x 48") Panels
  - 150' Roll of Tape
- INGAPKIT - Gap Kit
  - 6"x6" Gap Plates
- INVORKIT - Origination Kit
  - 6"x12" Origination Plate
  - 6"x12" Cover Plate
  - 2 x (12"x3") Insulation
  - 2 x E210BS90 Connection
- INV6TRNKIT - Turn Kit
  - 8 x (6"x6") 90° Turn Plates
- INVDEKIT - Drip Edge Kit
  - 5 x (4"x48") Edge Panel
  - 1 x (4"x6") Left Edge Turn
  - 1 (4"x6") Right Edge Turn



## Specifications:

Profile Height	.....	1/4"
Insulator	.....	Polystyrene Foam
Aluminum Tape Temperature Range	.....	-40-250°F (-40-121°C)
U.S. Patent #	.....	7,071,446 B1
Panel Material	.....	Aluminum



**Comfort Radiant Heating**  
[www.comfortradiant.com](http://www.comfortradiant.com)  
 (888)448-0555 (518)373-5700